

Monitor Support Systems



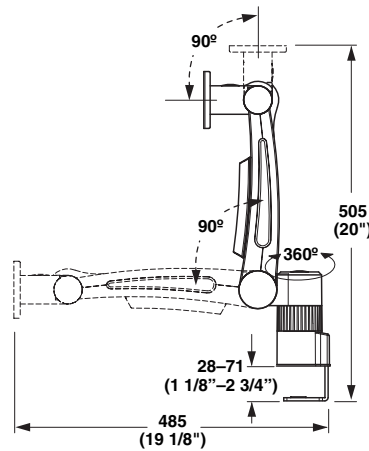
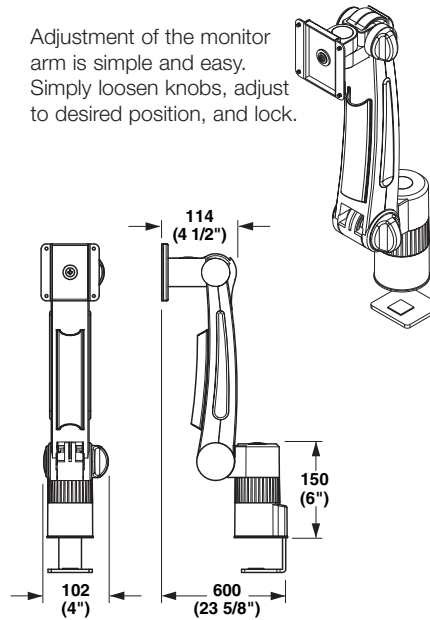
LCD Flat Panel Monitor Arm

Clamps to edge of worktop or optional mounting through 80 mm (3 1/32") grommet hole.
Finish: plastic and steel, black

Cat. No.	632.14.300
Packing: 1 pc. (includes monitor attachment screws)	



Adjustment of the monitor arm is simple and easy. Simply loosen knobs, adjust to desired position, and lock.



HÄFELE



- Stable, durable design.
- Aesthetically pleasing sleek design.
- VESA standard mounting plate both small (75 x 75 mm) and large (100 x 100 mm) versions are included.
- Swivel adjustment on arm base and mounting head.
- Cable management snap-on shroud.
- Tension control knobs to counter balance monitor weights from 6 to 12 lbs.
- Meets or exceeds ANSI/BIFMA standards.

Applications:

- Occasional to moderate user.
- SOHO (Small Office Home Office)



Bio-Fix™ products from Häfele.

**Tables, Legs, Casters,
Levelers and Office
Organization**

Dimensional data not binding.
We reserve the right to alter
specifications without notice.

Dimensions in mm
Inches are approximate

TCH 04

1278 A